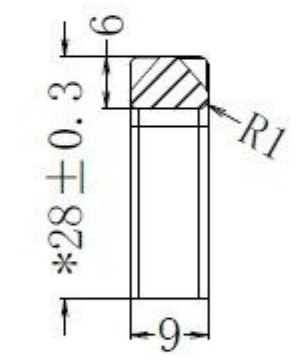
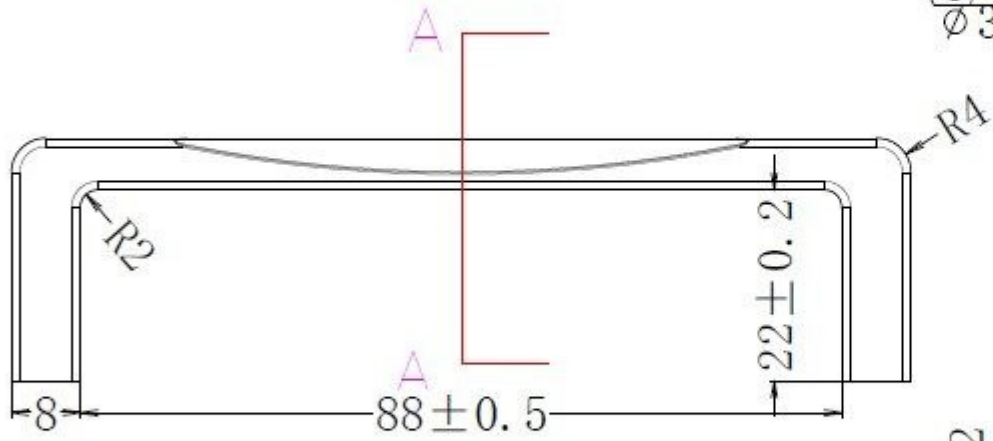


$8/32 \nabla L10mm$
 $\varnothing 3.6-L12mm$



SECTION A-A

