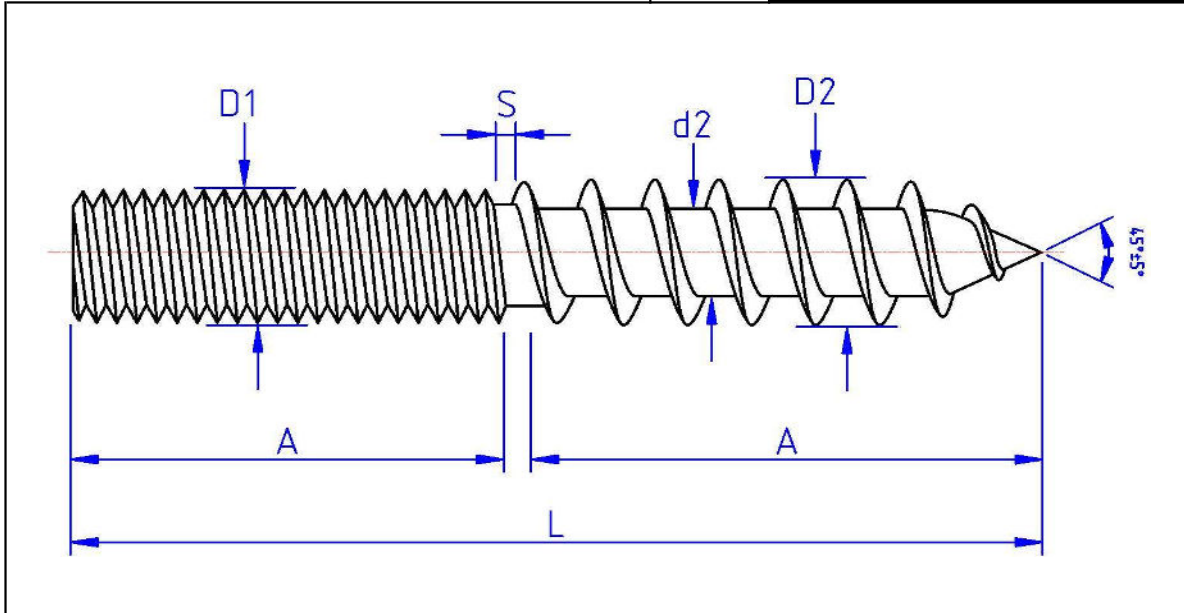




Brand	Root
	<b>HZ...</b>



unit: INCH

<b>L</b> LENGTH TOLERANCE	$\leq 2-1/2$	$\pm 0.04$
	$> 2-1/2$	$\pm 0.06$

<b>A</b> THREAD LENGTH	$(1/2 \times L) - 0.0625$
------------------------------	---------------------------

SCREW SIZE		D1 THREAD SPEC	D1 THREAD DIAM.	D1 THREAD PER INCH	S SPACE LENGTH	d2 MINOR THREAD	D2 MAJOR THREAD	D2 THREAD PER INCH
<b>3/16</b>	Min	UNC 2A	0.182	<b>24</b>	Max 0.125	0.107	0.178	<b>11</b>
	Max	<b>10 - 24</b>	0.190					
<b>1/4</b>	Min	UNC 2A	0.241	<b>20</b>	Max 0.125	0.160	0.237	<b>10</b>
	Max	<b>1/4 - 20</b>	0.250					
<b>5/16</b>	Min	UNC 2A	0.303	<b>18</b>	Max 0.125	0.210	0.298	<b>9</b>
	Max	<b>5/16 - 18</b>	0.313					
<b>3/8</b>	Min	UNC 2A	0.364	<b>16</b>	Max 0.125	0.250	0.360	<b>7</b>
	Max	<b>3/8 - 16</b>	0.375					

**Hanger Bolt, Zinc Plated**  
"A" should be equal in length, Steel SAE 1010

Root= Hanger Zinc

**Bulk Label Description:**

- English: HANGER BOLT, ZINC
- French: BOULON DE PATTES DE TABLE, ZINC
- Spanish: PERNO DE SUSPENSION, ZINC

Date: 2 octobre 2023

Done by: P.B.