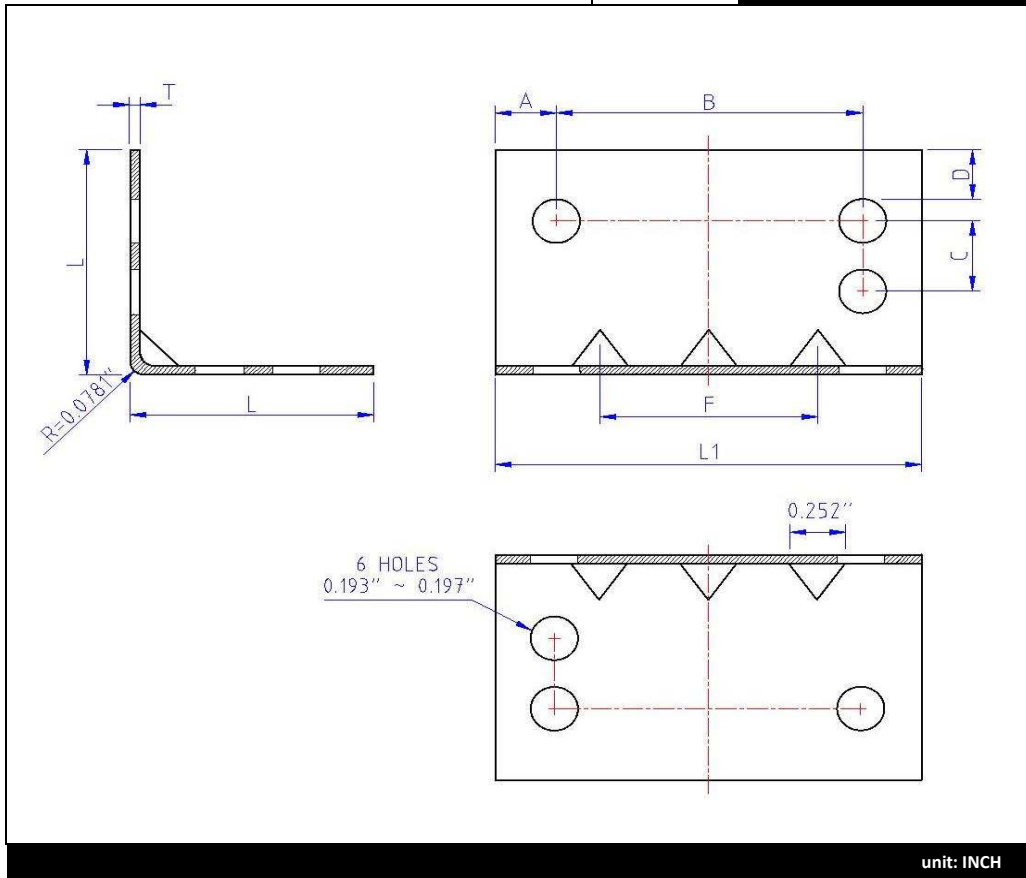




Brand	Root
N/A	<b>CSR1134</b>



unit: INCH

	min.	max.
<b>L</b>	0.980	0.990
<b>L1</b>	1.762	1.782

	<b>A</b>	<b>B</b>	<b>C</b>	<b>D</b>	<b>F</b>	<b>T</b> Material Thickness
Min.	0.248	1.264	0.300	0.216	0.917	<b>20 GA</b>
Max.	0.256	1.272	0.320	0.224	0.925	0.0359

**Steel Corner Brace 90°, Zinc Plated**

Root =

**Bulk Label Description:**

- English: STEEL CORNER BRACE, ZINC
- French: ÉQUERRE EN ACIER, ZINC
- Spanish: SOPORTE MÉTALICO DE ESQUINA, ZINC

Date : 21 janvier 2019

Done by : P.B.