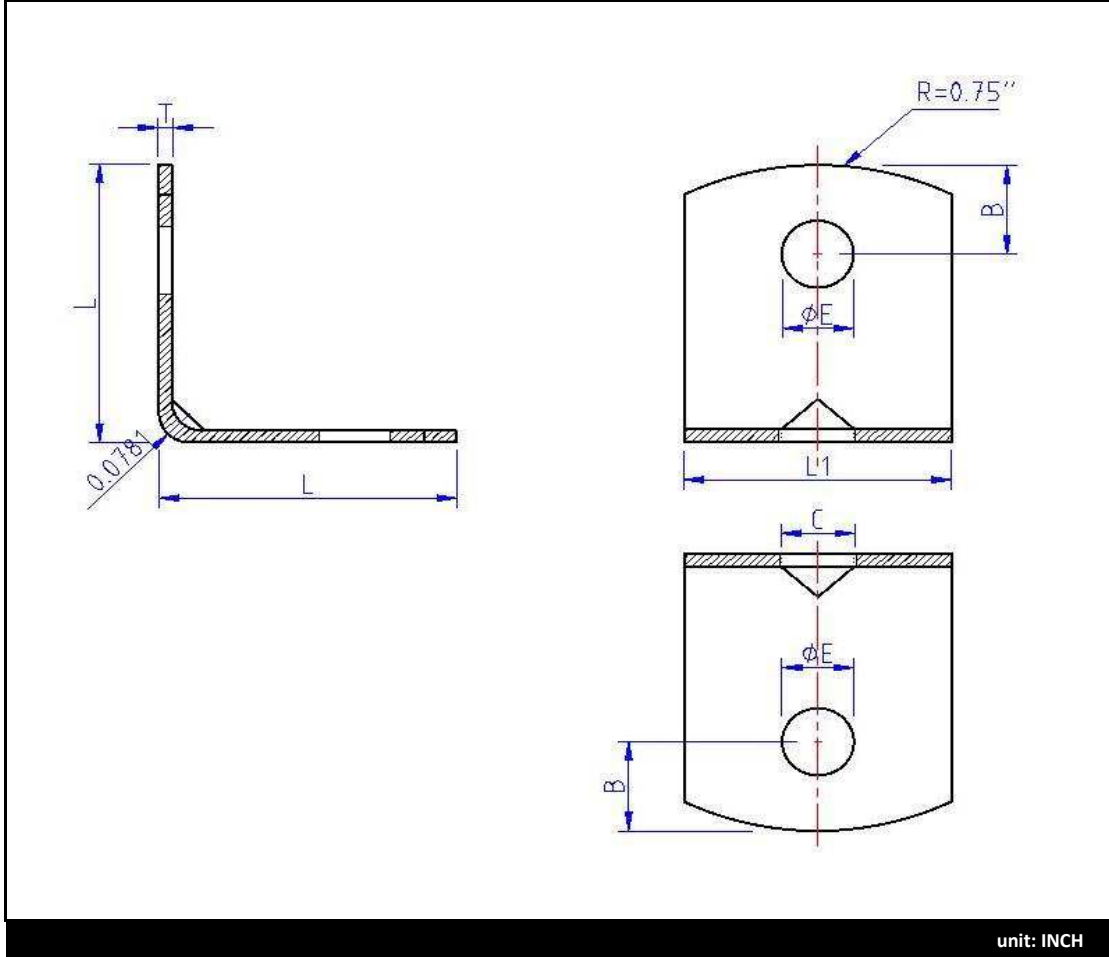




Brand	Root
N/A	CSR34



unit: INCH

	B from Top to Hole center	C Boss Width	E Hole Diam.	L Height	L1 Width	T Material Thickness
Min.	0.235	Ref.	0.182	0.738	0.670	20 GA
Max.	0.245	0.252	0.191	0.762	0.680	0.0359

Steel Corner Brace 90°, Zinc Plated

Root =

Bulk Label Description:

- English: STEEL CORNER BRACE, ZINC
- French: ÉQUERRE EN ACIER, ZINC
- Spanish: SOPORTE METÁLICO DE ESQUINA, ZINC

Date : 21 janvier 2019

Done by : P.B.