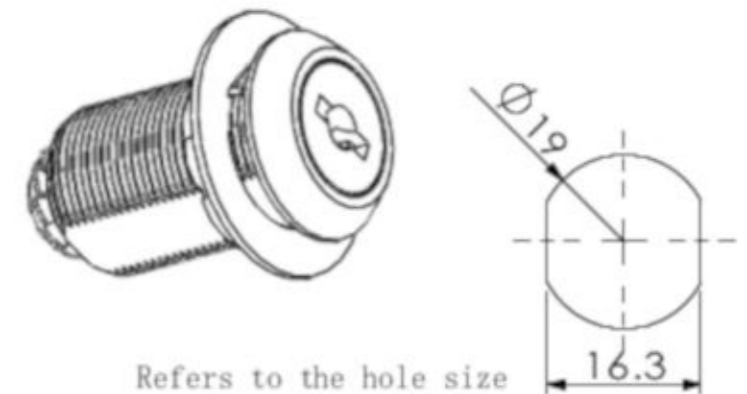
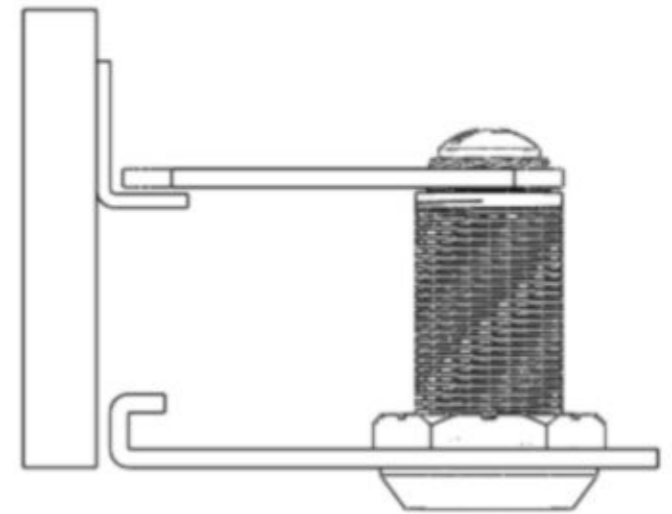
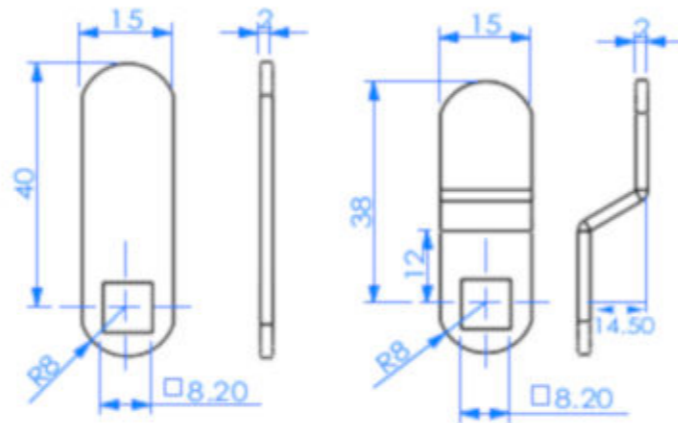
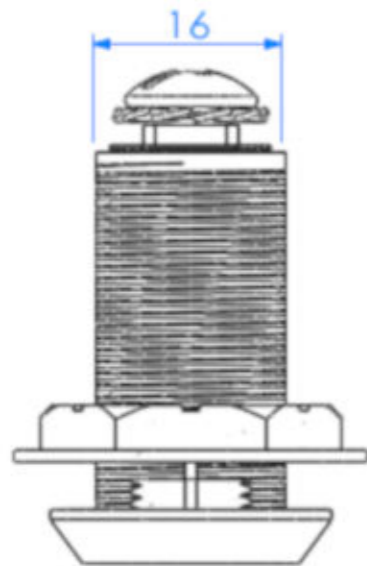
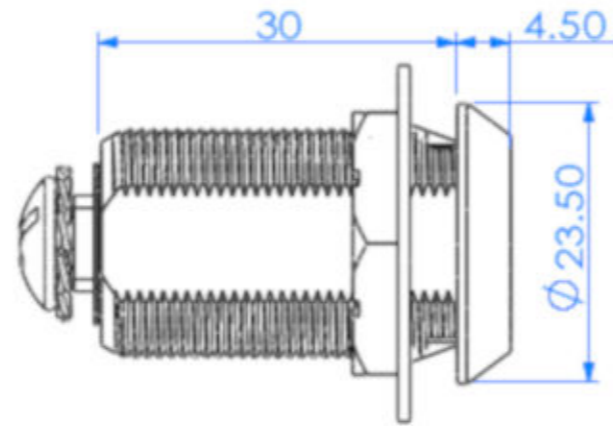
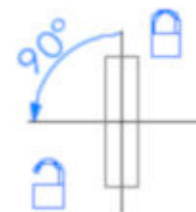


Installation diagram



Refers to the hole size

Core turn direction



Selected accessories