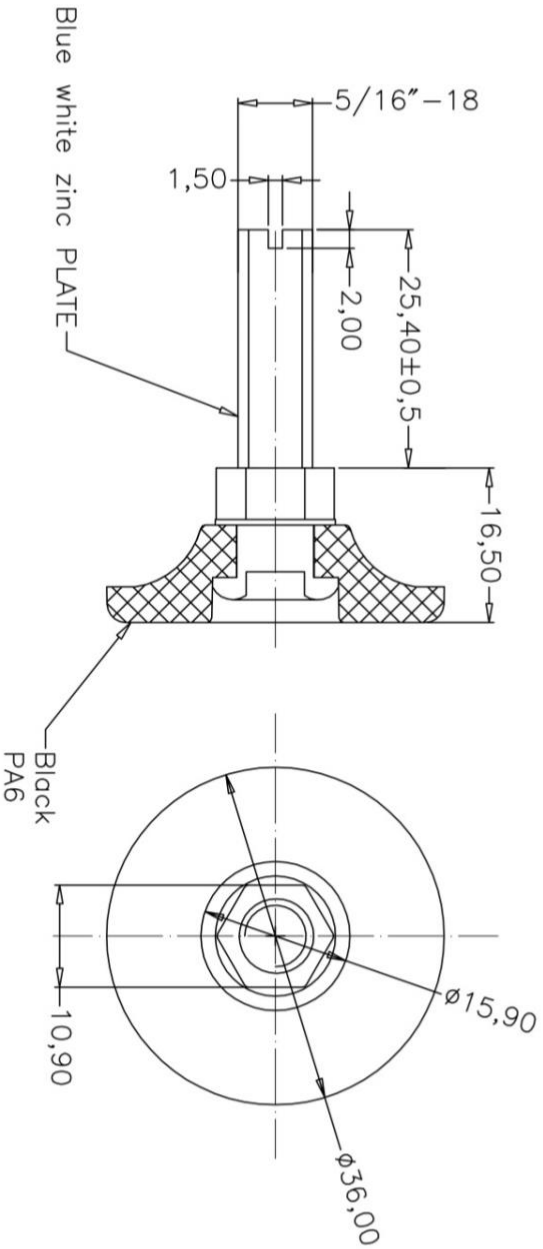


REVISION RECORD			
REV	ECO	DESCRIPTION	DATA



DETACHED LISTS		MM		(INCH)	
TOLERANCES EXCEPT AS NOTED					
MM	±	±	±	±	±
0	±0.50	±	±	±	±
.00	±0.35	±	±	±	±
.000	±0.15	±	±	±	±
ANGLES ±					
THIRD ANGLE PROJECTION					
DRTO	DATE	04/25/2024	DRTO	DATE	
CHKD	DATE		CHKD	DATE	
APPV	DATE		APPV	DATE	
MATERIAL :					
QTY :					
FINISH :					
SCALE :					
DRAWING NO. / PART NO. 53963290					
DO NOT SCALE DRAWING					
TITLE				SIZE	REV
				A3	0
SHEET X				OF	Y